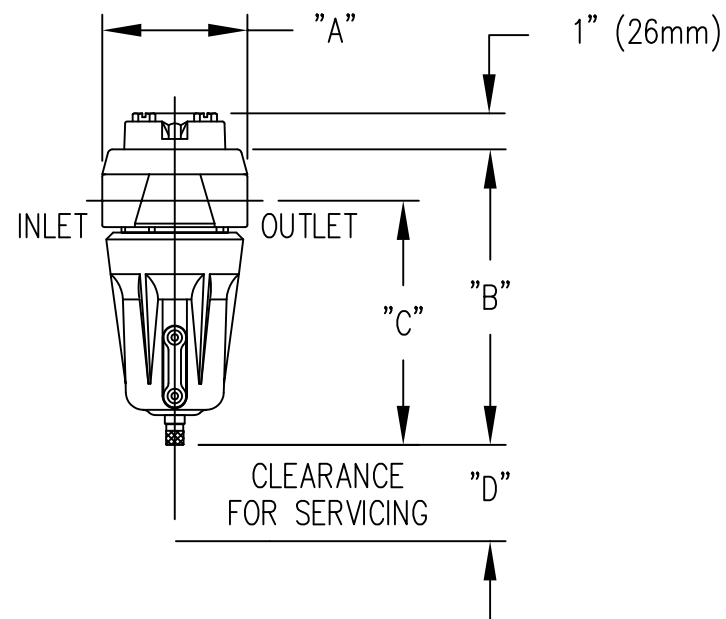


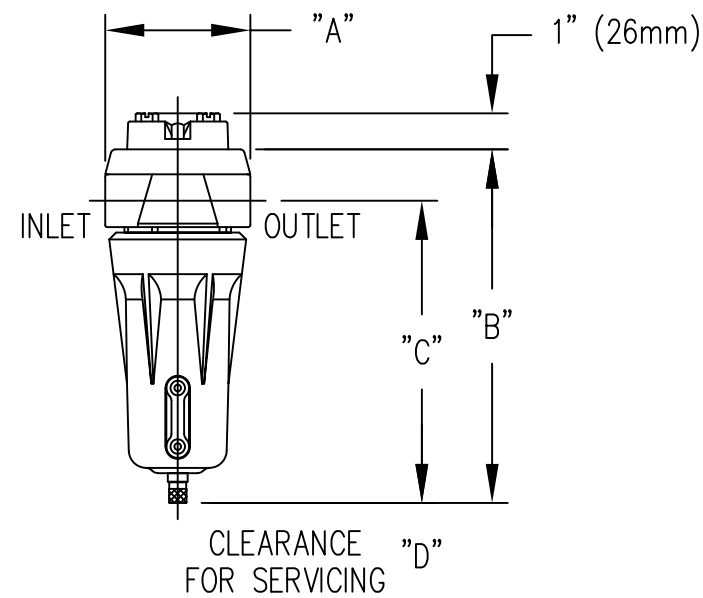
FILTER TYPE		HF(Grade)-12	HF(Grade)-16	HF(Grade)-20	HF(Grade)-24	HF(Grade)-28
REPLACEMENT ELEMENT		E(Grade)-12	E(Grade)-16	E(Grade)-20	E(Grade)-24	E(Grade)-28
NOMINAL AIR FLOW	SCFM @ 100 psig (m <sup>3</sup> /hr @ 7.0 bar)	20 (35)	35 (60)	60 (105)	100 (170)	170 (250)
IN/OUT CONNECTION	in. (NPT/BSP)	3/8, 1/2	3/8, 1/2	3/8, 1/2	3/4, 1	3/4, 1
"A"	in., (mm)	4.13, (105)	4.13, (105)	4.13, (105)	5.25, (133)	5.25, (133)
"B"	in., (mm)	7.15, (182)	10.05, (255)	12.40, (316)	13.32, (338)	17.57, (446)
"C"	in., (mm)	6.40, (163)	8.59, (219)	10.97, (285)	11.74, (298)	15.99, (406)
"D"	in., (mm)	3.00, (76)	3.00, (76)	3.00, (76)	3.50, (89)	3.50, (89)
WEIGHT	lb (kg)	4.2 (2.9)	8.1 (3.67)	8.5 (3.86)	6.3 (2.9)	6.9 (3.1)
MWP SEE NOTES#1, 2	psig/(bar)	300/(21)	300/(21)	300/(21)	300/(21)	300/(21)
MAXIMUM OPERATING TEMPERATURE	°F (°C)	150 (66)	150 (66)	150 (66)	150 (66)	150 (66)
HEAD MATERIAL		ZINC	ZINC	ZINC	ALUMINUM	ALUMINUM
BOWL MATERIAL		ALUMINUM	ZINC	ZINC	ALUMINUM	ALUMINUM
LLI MATERIAL		ISOPLAST	ISOPLAST	ISOPLAST	ISOPLAST	ISOPLAST

### NOTES & SPECIFICATIONS

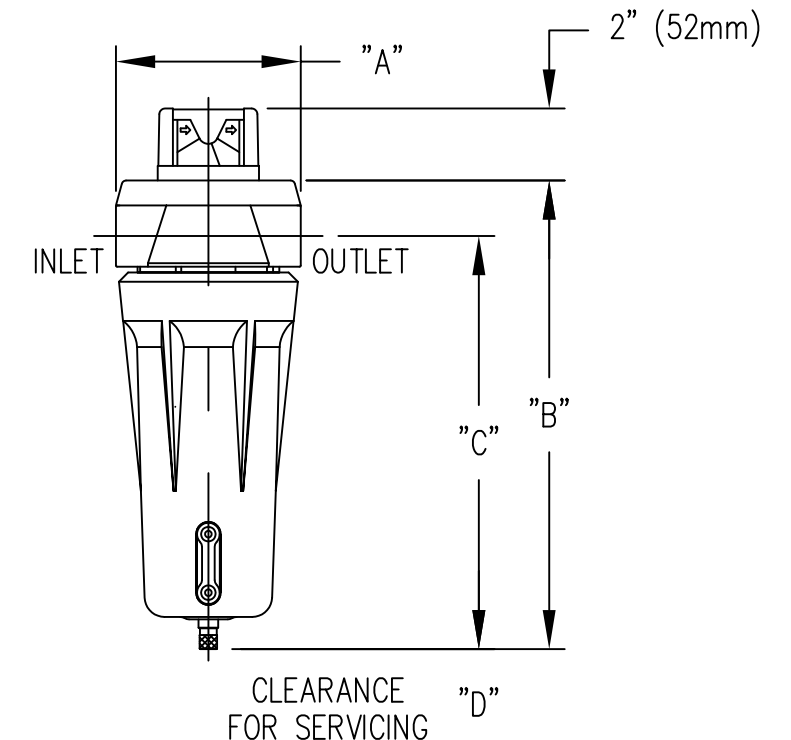
1. MWP - MAXIMUM WORKING PRESSURE.
2. FILTER ASSEMBLIES WITH AN LLI OR AN AUTOMATIC FLOAT DRAIN INSTALLED WILL HAVE A MWP OF 250 psi (17 bar).



15 oz BOWL  
(20 SCFM)



20 & 30 oz BOWLS  
(35 & 60 SCFM)



55 & 80 oz BOWLS  
(100 & 170 SCFM)

D	ECF-991118-TPC-01	MAL	01/03/00	CAM
C	REF TO ECF-990618-CAM-01	CAM	6/18/99	TPC
B	REF TO EJO TPC00398	CM	1/8/98	TPC
A	CHGD. PSIG/BAR FROM 300/27 TO 300/21	CM	7/8/07	TPC
REV.	DESCRIPTION	BY	DATE	APPROVED
REVISION HISTORY (△ INDICATES LATEST REVISION)				

UNLESS OTHERWISE SPECIFIED  
DIMENSIONS ARE IN INCHES  
TOL. ON FRACTIONS: ±  
TOL. ON DECIMALS: ± (2 PLACE)  
TOL. ON DECIMALS: ± (3 PLACE)  
TOL. ON ANGLES: ±  
THIRD ANGLE PROJECTION

FILER NO. R02528--  
DRAWN BY: BPB  
DATE: 5/16/96  
CHECKED BY: TPC  
DATE: 5/16/96  
APPROVED BY: TPC  
DATE: 5/16/96

**HANKISON** DIVISION OF HANSEN INC.  
INTERNATIONAL CANONSBURG, PA. 15317-1700 U.S.A.

FILTER DIMENSIONAL DATA  
HF #'S 12-28

SIZE B	DWG. NO. 2300-01HAN	REV. D
SCALE: .75=1	EST. WT.	SHEET 1 OF 1