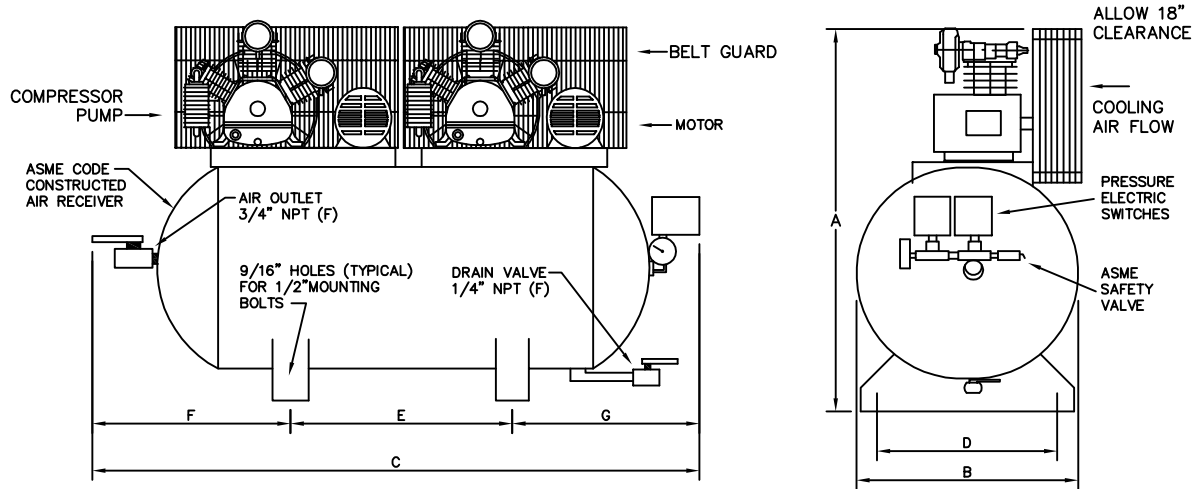


AIR COMPRESSOR SPECIFICATION:

The compressor unit shall incorporate a V belt driven, OMEGA heavy duty cast iron air cooled, reciprocating type air compressor complete with air intake filter silencers. The compressor pump shall be mounted on a ASME code constructed air receiver. The compressor pump will be equipped with oil site gauge. The electric motor will be 1725 rpm, open drip proof with a service factor of 1.15 and have class B insulation. The compressor base plate will be slotted for belt adjustment and the drive equipped with a OSHA type, totally enclosed belt guard. The air receiver shall be complete with pressure switch, pressure gauge, ASME approved safety valve, check valve and ball type air outlet valve. A head release mechanism will be furnished with the compressor to permit load free motor starting at all times. The unit will be backed by a two year warranty against manufactures defects.



PERFORMANCE DATA

MODEL	HP	DELIVERY		PRESSURE SETTINGS		RECEIVER		COMPRESSOR			
		SCFM	L/S	PSIG	KPA	Gal	US. LITERS	PUMP	RPM	CYL	STGS
CC-DX-01560	1.5	6.7	3.16	70-90	483-620	60	227	CK-40	420	3	1

DIMENSIONAL DATA (inches)

MODEL	A	B	C	D	E	F	G
CC-DX-01560	44	21	61	18.75	24	19	18

WT. DISTRIBUTION (Lbs)

FT.1	FT.2	FT.3	FT.4	TOTAL
104	158	104	135	501

ELECTRICAL DATA (60Hz)

APPROX. FULL LOAD AMPS						
HP.	Single Phase		Three Phase			
	110V.	220V.	200V.	230V.	460V.	575V.
1.5	18.0	9.0	4.8	4.4	2.2	2.0

BELT GUARD SIDE			
2			4
1			3

OMEGA AIR COMPRESSORS	HVAC SERIES	1.5HP TANK MOUNTED DUPLEX COMPRESSOR	Print No: Dwg: Chk'd	ESJL33S-1 Scale: Not to. Wt Dist: +-5lbs
------------------------------	--------------------	---	----------------------------	--

Typical only. Data & specifications may be subject to change. May not include accessory items for any particular order.

Project Reference: