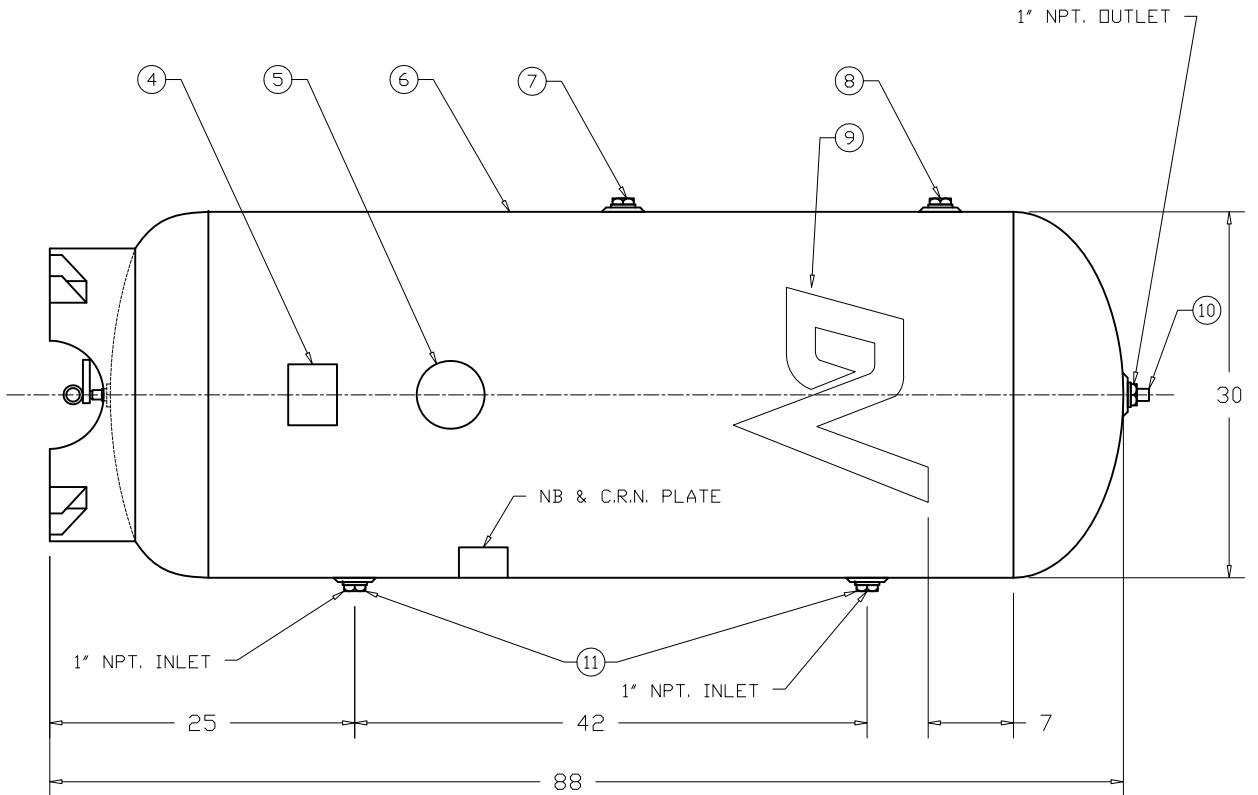
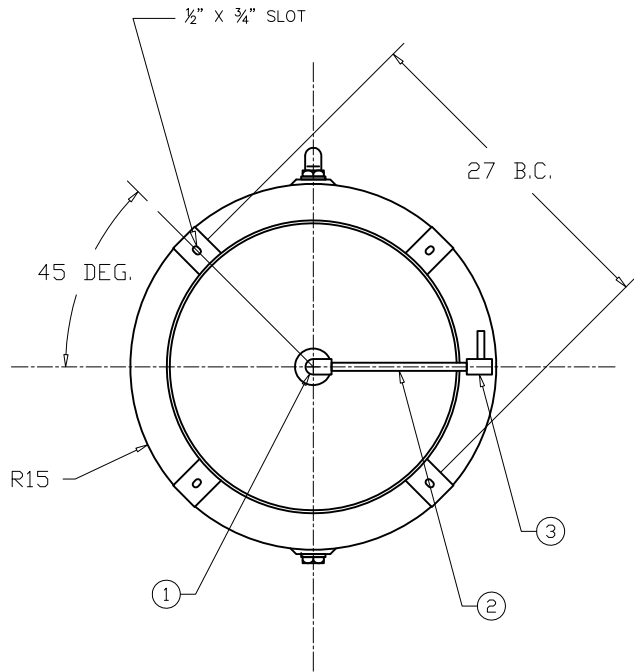


REV.	DATE	REVISION DESCRIPTION	PCN NO.
G	JAN.25/10	TANK FITTING ORIENTATION	----
H	JUN.22/10	LA-9426 'DRAIN DAILY' LABEL REMOVED	10-37
I	JUL.6/11	SAFETY VALVE & GAUGE RMVD,LA-9426 ADDED	11-15



NOTE:
 200 PSI. MAX. WORKING PRESSURE @ 650°F.
 NATIONAL BOARD & C.R.N. APPROVED.
 THREAD SEALANT MUST BE USED ON ALL FITTINGS.
 ALL FITTINGS MUST BE PLATED.
 TANK MUST BE PAINTED DV SYSTEMS GREY.

NO.	PART NO.	DESCRIPTION	NO.	PART NO.	DESCRIPTION
1	SS-1179	1/4" - GALV. ELBOW	5	LA-9452	DV BUILT BETTER LABEL
	SS-1250	1/2"x1/4" BUSHING	6	TA-9006-2	240 GAL. VERTICAL AIR RECEIVER
	SS-2071	1/4" X 1 1/2" SHORT GALV. NIPPLE	7	SS-3185	1/4" THREAD PROTECTOR
2	SSP-419	1/4"x1/2" GALV. NIPPLE	8	SS-3183	1/2" THREAD PROTECTOR
3	VA-9411	BALL VALVE 1/4"x1/4" NPT.	9	LA-9444	DV SYSTEMS LARGE DECAL
4	LA-9426	DRAIN DAILY LABEL	10	SS-1232	1" PIPE PLUG
			11	SS-3185	1" THREAD PROTECTOR (2)

IMPORTANT NOTE: This print is the confidential property of DV SYSTEMS, INC. It is not to be used or reproduced in any manner, nor submitted to other parties for examination without the prior approval of DV SYSTEMS, INC. DV SYSTEMS, INC. is continually trying to improve its products, specifications subject to change without notice.

FRACTIONAL DIMENSIONS: ±1/32
 DECIMAL DIMENSION: ±.005
 ANGLES: ±1°
 *UNLESS OTHERWISE SPECIFIED



NAME OF PROJECT				DESCRIPTION OF DRAWING		
240 GAL. VERTICAL AIR RECEIVER				REMOTE TANK		
DRAWN BY	CHECKED BY	DATE	SCALE	DRAWING NO.	SHT NO	REV
ADAM SMITH		OCT.16/00	N.T.S.	TA-9008-2		I